

Meteo Green he High Efficiency Condensing Boiler



Small dimensions
Big performance

1:10 modulation

36kW - 3.4kW

Pneumatic pre-mix
air/gas

Energy saving
modulating pump

Single pipe aluminium heat
exchanger (patent pending)

Domestic hot water capable
(external tank required)

Programmable wall thermostat

Outdoor sensor



ENVIRONMENTALLY
FRIENDLY



ENERGY
EFFICIENT



EUROPEAN
MADE & DESIGNED



WALL THERMOSTAT
& OUTDOOR SENSOR



FROST PROTECTION
DOWN TO -15 °C



2
YEAR
WARRANTY



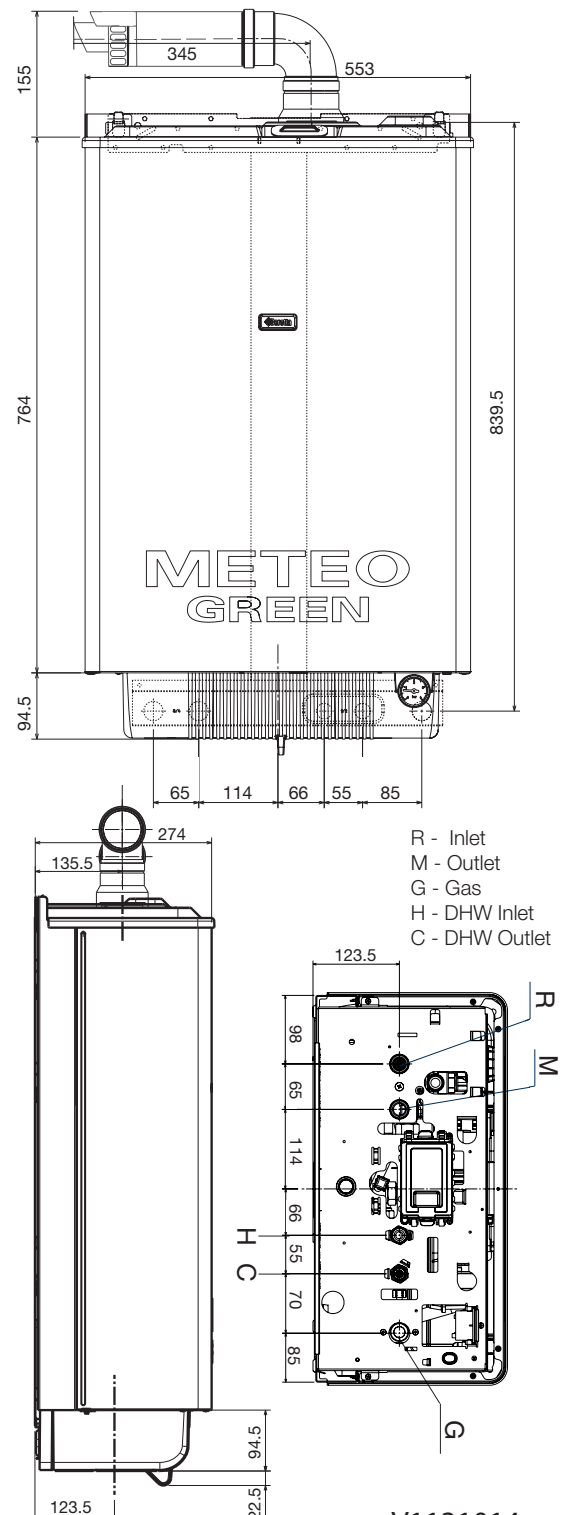
Meteo Green he internal/external 1:10 modulation condensing boiler

Beretta's Meteo Green he is a wall hung condensing boiler which has been designed to maximise energy efficiency, reducing running costs by up to 35% compared to conventional boilers, this also ensures it's top of the class for low NOx output. Meteo Green comes complete with an outdoor sensor and a programmable wall thermostat with LCD screen which will display any fault codes, an intelligent combination ensuring the very best energy performance and convenience.



The modulating pump offers best-in-class electronic control which provides energy savings through lower electrical consumption. The innovative condensing heat exchanger is manufactured as a single aluminium pipe without welds and the high thermal conductivity of aluminium as well as its resistance to corrosion allows uniform heat distribution with no hot spots ensuring a longer life span. Another special feature of Meteo Green is the ability to match the maximum power of the boiler to the thermal needs of the central heating system, allowing even more energy savings.

Data	Unit	Meteo 35 he
Max. heat output in heating (80/60°C)	KW	36
Min. heat output in heating (80/60°C)	KW	3.41
Max. heat output in heating (50/30°C)	KW	38
Min. heat output in heating (50/30°C)	KW	3.41
Efficiency at 30% ref. NHV (80/60°C)	%	98.7
Efficiency ref. NHV (50/30°C)	%	107.7
Efficiency at 30% ref. NHV (50/30°C)	%	108.7
CO2 at minimum - maximum NG	%	9,0 - 9,0
CO2 at minimum - maximum ULPG	%	10,4 - 10,4
Min. Gas supply pressure NG	KPa	1.13
Max. gas delivery NG	Mj/h	140
Min. gas delivery NG	Mj/h	14
Min. Gas supply pressure ULPG	KPa	2.75
Max. gas delivery ULPG (main burner)	Mj/h	140
Min. gas delivery ULPG	Mj/h	24
NOx emission class	-	5
Max. working pressure in heating	bar	3
Min. working pressure in heating	bar	0.8
Range of boiler water temperature settings	°C	20 - 80
Heating water content	litres	3.8
Protection rating	IP	X5D
Power supply voltage	V/Hz	240V/50Hz
Electrical power input	W	152
Empty weight	kg	45
Noise level at max/min heat output	dBA	51 / 44



Warranty Guide 2 years parts and labour
5 years heat exchanger

www.hurlconheating.com.au
enquiries@hurlconheating.com.au

Melbourne: 03 9554 2275 **Townsville:** 07 4750 3100
Sydney: 02 9853 2100 **Adelaide:** 08 8152 7600
Brisbane: 07 3308 5400 **Perth:** 08 9350 2600
Gold Coast: 07 5552 2600